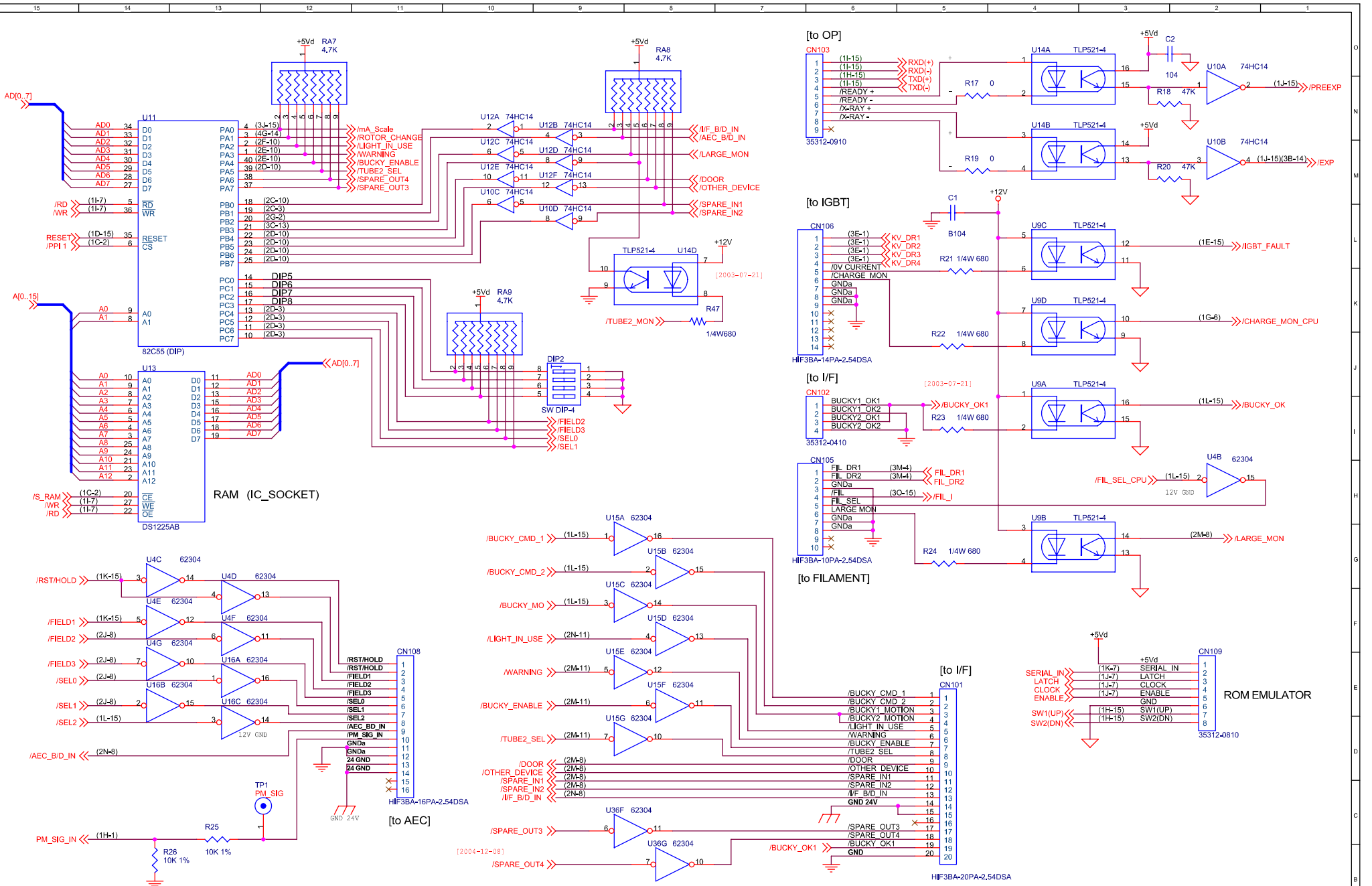


| | | | | | |
|--|--|--|-------------|--------------|---------------------------------|
| | | | APPROVED BY | DESIGNED BY | POSKOM CO.,LTD |
| | | | CHECKED BY | DATE | |
| | | | | [2004-12-23] | Size A3 |
| | | | | | Document Number PXR-HT-B-000 |
| | | | | | Rev 00 |
| | | | | | Date: |

| | | | | |
|-----|----------|------|------|----|
| NO. | CONTENTS | DATE | REV. | BY |
| 11 | | | | |
| 10 | | | | |
| 9 | | | | |
| 8 | | | | |
| 7 | | | | |
| 6 | | | | |
| 5 | | | | |
| 4 | | | | |
| 3 | | | | |
| 2 | | | | |
| 1 | | | | |



| | | | | | | |
|-----|----------|------|---------|-------------|-------------|---|
| E | | | | APPROVED BY | DESIGNED BY | POSKOM CO.,LTD Title PXR-401B HT-Controller Size A3 Document Number PXR-HT-B-000 Rev 00 Date: _____ Sheet 2 of 5 |
| D | | | | | | |
| C | | | | | | |
| B | | | | CHECKED BY | DATE | |
| A | | | | | | |
| NO. | CONTENTS | DATE | REV. BY | | | [2004-12-23] |

[TD62304 : GND 24V]