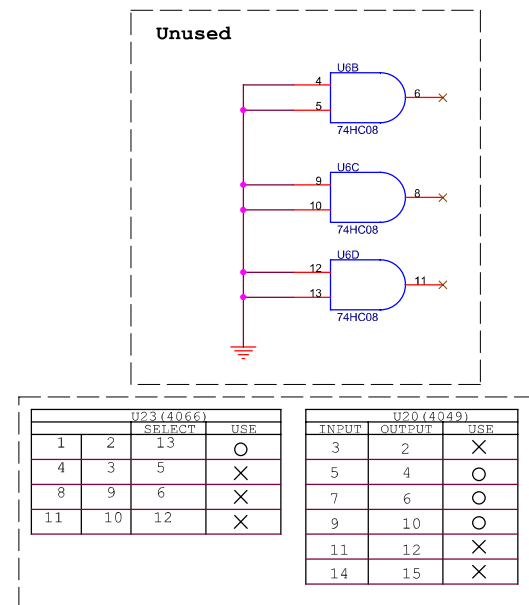
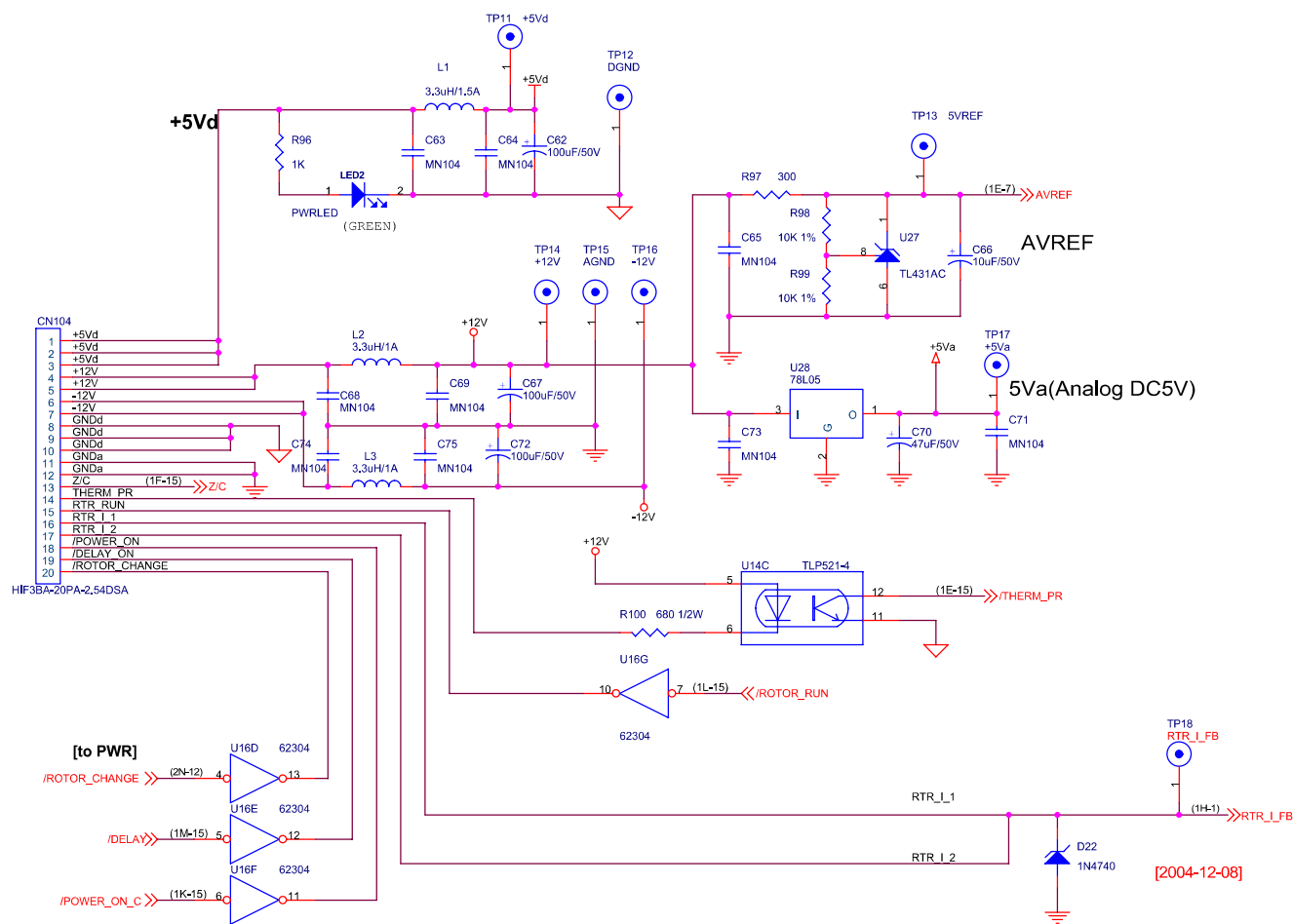


E				APPROVED BY	DESIGNED BY	<b>POSKOM CO.,LTD</b> File: PXR-401B HT-Controller Size C Document Number: PXR-HT-B-000 Rev 00
D						
C				CHECKED BY	DATE	
B						
A						
NO.	CONTENTS		DATE	REV. BY	[2004-12-23]	Date: Sheet 3 of 5



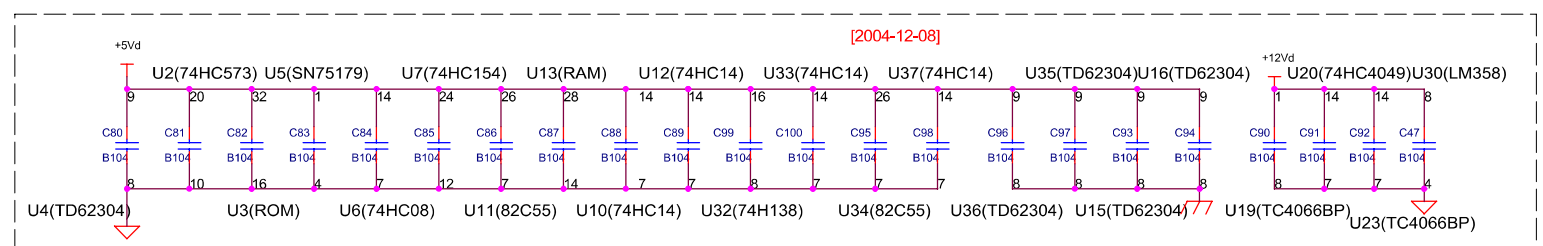


CN104

1	+5Vd
2	+5Vd
3	+5Vd
4	+12V
5	+12V
6	+12V
7	-12V
8	-12V
9	GNDd
10	GNDd
11	GNDd
12	GNDa
13	Z/C
14	THERM_PR
15	RTR_RUN
16	RTR_L1
17	RTR_L2
18	/POWER_ON
19	/DELAY_ON
20	/ROTOR_CHANGE

HIF3BA-20PA-2,54DSA

[2004-12-08]



<b>E</b>				APPROVED BY	DESIGNED BY	<b>POSKOM CO.,LTD</b>	
<b>D</b>						Title	
<b>C</b>						PXR-401B HT-Controller	
<b>B</b>				CHECKED BY	DATE	Size	Document Number
<b>A</b>						A3	PXR-HT-B-000
<b>NO.</b>	CONTENTS	DATE	REV. BY			Date: Monday, February 28, 2005	Rev 00

[2004-12-23]