

APPENDIX 3

LIS INTERFACE

The analyser (both Fully and Fully Smart) was designed to be used a stand alone or to be interfaced with a Laboratory Information System (LIS). In this case the analyser can perform the following operations:

- Import a worklist from a remote system (by the way of serial port)
- Export results to a remote system.

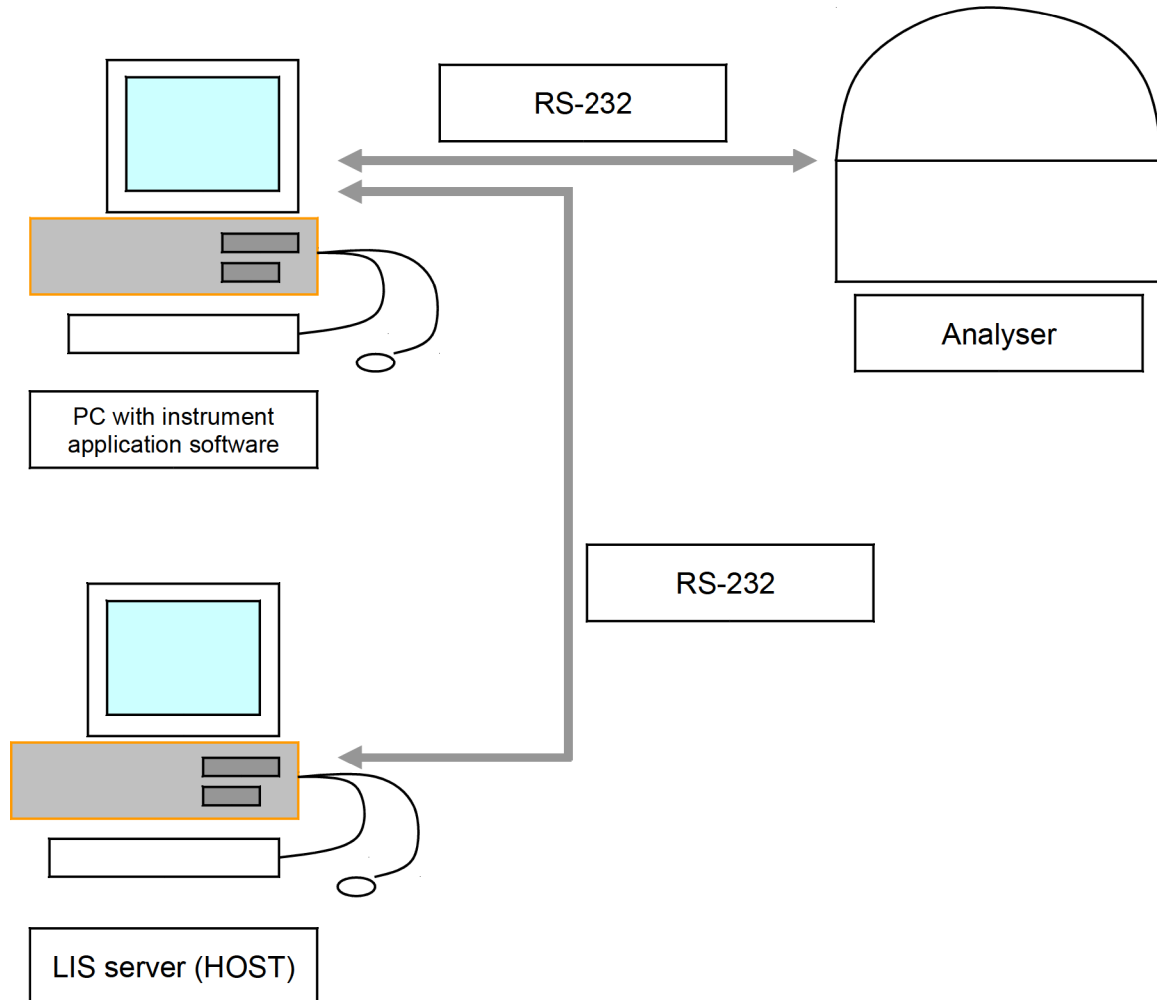
The LIS interface can be achieved through serial port. For this reason at least number 2 serial ports are needed in order to provide LIS support to analyser, since one serial port is needed by the application software to communicate with the analyser, the other serial port is needed to connect the analyser to a LIS host.

See next pages for extra details on connecting the instrument to LIS:

FULLY and FULLY SMART - User's manual

The picture below is showing how to connect a Fully Smart to a LIS. Note that in this case you need a PC that has at least number 2 serial ports.

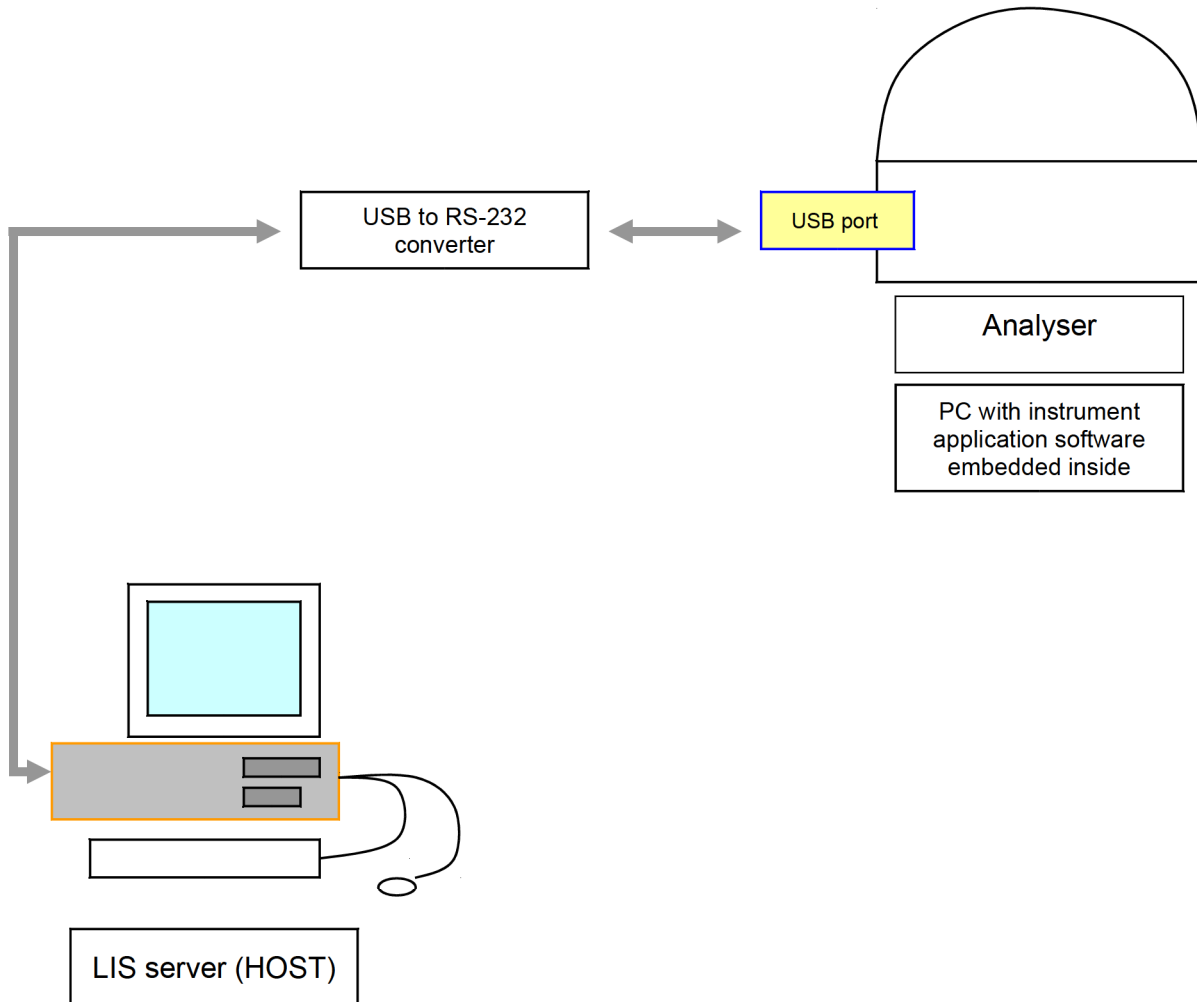
Standard USB to serial adapter can also be used.



FULLY and FULLY SMART - User's manual

The picture below show how to connect a Fully to a LIS.

Since Fully has not serial port output provided in the external port, a standard USB to serial adapter can be used in order to convert USB port to serial.



For a description of the protocol of LIS contact Biochemical Systems International (or your authorised local distributor).