

| Products Name | Prophy-Mate neo Powder Case | | |
|------------------------|-----------------------------|--------------|----------|
| Type | | | |
| Model Name/Products No | PMN-PTL | (Gray type) | T798 020 |
| | | (White type) | T798 021 |
| | PMN-M4 | (Gray type) | T884 020 |
| | | (White type) | T884 021 |
| | PMN-B2 | (Gray type) | T885 020 |
| | | (White type) | T885 021 |
| | PMN-KV | (Gray type) | T886 020 |
| | | (White type) | T886 021 |
| | PMN-SR | (Gray type) | T887 020 |
| | | (White type) | T887 021 |
| | PMN-BA | (Gray type) | T889 020 |
| | | (White type) | T889 021 |
| | PMN-WH | (Gray type) | T888 020 |
| | | (White type) | T888 021 |
| Manufactured Period | From '07.09. | | |

| No. | PARTS No. | DESCRIPTION | Q'ty | REMARK |
|-----|-------------|------------------------------------|-------|-----------------------------|
| 1 | T332B208 | Ring | 1 | |
| 2 | T798 509 | Handpiece Attaching/Detaching Ring | 1 | |
| 3 | T332C218A | Return Spring | 1 | |
| 4 | 0312-063080 | O-Ring | 2 | |
| 5 | M148 060 | Ball | 1 set | A set consists of 3 pieces. |
| 6 | 0312-019085 | O-Ring | 1 | |
| 7 | T798 040 | Suction Nozzle Ass'y | 1 | |
| 8 | 0312-029070 | O-Ring | 3 | |
| 9 | T798 050 | Spray Nozzle Ass'y | 1 | |
| 10 | 0312-055100 | O-Ring | 1 | |
| 11 | T798 030 | Powder Case Ass'y | 1 | Gray type |
| | T798 031 | Powder Case Ass'y | 1 | White type |
| 12 | 0312-023060 | O-Ring | 1 | |
| 13 | T798 181 | Guide Nut | 1 | |
| 14 | T798 060 | Non Retraction Valve | 1 | |
| 15 | T798 135 | Rubber Packing | 1 | |
| 16 | T798 132 | Cover Holder | 1 | |
| 17 | T798 133 | Powder Case Cover | 1 | |
| 18 | T798 070 | Joint Ass'y | 1 | For PMN-PTL |
| 19 | Y900 580 | O-Ring Set | 1 set | For PMN-PTL |
| 20 | T798 525 | Ring Nut | 1 | For PMN-PTL |
| 21 | T798 554 | Joint Cover | 1 | For PMN-PTL |
| 22 | T884 151 | Joint Retainer | 1 | For PMN-M4 |
| 23 | 0312-084080 | O-Ring | 1 | For PMN-M4 / -KV |
| 24 | 0312-054080 | O-Ring | 1 | For PMN-M4 |
| 25 | T884 070 | Joint Cover Ass'y | 1 | For PMN-M4 |

[Next](#)

A-213-00

| No. | PARTS No. | DESCRIPTION | Q'ty | REMARK |
|-----|-------------|----------------------|------|------------------------|
| 26 | T114 172A | Gasket | 1 | For PMN-M4 |
| 27 | T885 070 | Joint Retainer Ass'y | 1 | For PMN-B2 |
| 28 | T112 172 | Gasket | 1 | For PMN-B2 |
| 29 | T885 153 | Joint Cover | 1 | For PMN-B2 |
| 30 | T886 151 | Joint Retainer | 1 | For PMN-KV |
| 31 | 0312-068080 | O-Ring | 1 | For PMN-KV |
| 32 | T886 070 | Joint Ass'y | 1 | For PMN-KV |
| 33 | 060112-1500 | Ball | 3 | For PMN-KV |
| 34 | T739 165 | Ring Spring | 1 | For PMN-KV |
| 35 | T886 253 | Joint Cover | 1 | For PMN-KV |
| 36 | T887 151 | Joint Retainer | 1 | For PMN-SR |
| 37 | T887 121 | Joint Ring Screw | 1 | For PMN-SR / -BA / -WH |
| 38 | T739 166 | Gasket | 1 | For PMN-SR |
| 39 | T739 032 | Joint Sleeve Ass'y | 1 | For PMN-SR |
| 40 | T887 070 | Joint Ass'y | 1 | For PMN-SR |
| 41 | 06011-1980 | Ball | 3 | For PMN-SR |
| 42 | T740 165 | Ring Spring | 1 | For PMN-SR |
| 43 | T887 253 | Joint Cover | 1 | For PMN-SR |
| 44 | T889 070 | Joint Ass'y | 1 | For PMN-BA |
| 45 | T889 253 | Joint Cover | 1 | For PMN-BA |
| 46 | T741 155 | Joint Click Ring | 1 | For PMN-BA |
| 47 | T741 156 | Joint Retaining Ring | 1 | For PMN-BA |
| 48 | T888 070 | Joint Ass'y | 1 | For PMN-WH |
| 49 | T888 071 | Joint Cover Ass'y | 1 | For PMN-WH |

[Back](#)

A-213-00

[Return to A](#)
[Return to Top Page](#)

| 製品名 | | Prophy-Mate neo Powder Case | |
|-----------|--------------|-----------------------------|----------|
| タイプ | | | |
| モデル名／製品番号 | PMN-PTL | (Gray type) | T798 020 |
| | | (White type) | T798 021 |
| | PMN-M4 | (Gray type) | T884 020 |
| | | (White type) | T884 021 |
| | PMN-B2 | (Gray type) | T885 020 |
| | | (White type) | T885 021 |
| | PMN-KV | (Gray type) | T886 020 |
| | | (White type) | T886 021 |
| | PMN-SR | (Gray type) | T887 020 |
| | | (White type) | T887 021 |
| | PMN-BA | (Gray type) | T889 020 |
| | | (White type) | T889 021 |
| | PMN-WH | (Gray type) | T888 020 |
| | | (White type) | T888 021 |
| 製造日 | From '07.09. | | |

| 番号 | 部品番号 | 部品名称 | 使用個数 | 備考 |
|----|-------------|------------|-------|-----------------------------|
| 1 | T332B208 | 割りリング | 1 | |
| 2 | T798 509 | 指掛けリング | 1 | |
| 3 | T332C218A | カブラばね | 1 | |
| 4 | 0312-063080 | リング | 2 | |
| 5 | M148 060 | カブラボール | 1 set | A set consists of 3 pieces. |
| 6 | 0312-019085 | リング | 1 | |
| 7 | T798 040 | 吸込ノズル組付 | 1 | |
| 8 | 0312-029070 | リング | 3 | |
| 9 | T798 050 | 噴射ノズル組付 | 1 | |
| 10 | 0312-055100 | リング | 1 | |
| 11 | T798 030 | パウダーケース加工 | 1 | Gray type |
| | T798 031 | パウダーケース加工 | 1 | White type |
| 12 | 0312-023060 | リング | 1 | |
| 13 | T798 181 | ガイドネジ | 1 | |
| 14 | T798 060 | 逆止弁組付 | 1 | |
| 15 | T798 135 | パッキン | 1 | |
| 16 | T798 132 | ケース蓋押えねじ | 1 | |
| 17 | T798 133 | パウダーケースカバー | 1 | |
| 18 | T798 070 | C側ジョイント組付 | 1 | For PMN-PTL |
| 19 | Y900 580 | リング セット | 1 set | For PMN-PTL |
| 20 | T798 525 | リングネジ | 1 | For PMN-PTL |
| 21 | T798 554 | ジョイントカバー | 1 | For PMN-PTL |
| 22 | T884 151 | C側ジョイント受け | 1 | For PMN-M4 |
| 23 | 0312-084080 | リング | 1 | For PMN-M4 / -KV |
| 24 | 0312-054080 | リング | 1 | For PMN-M4 |
| 25 | T884 070 | ジョイントカバー組付 | 1 | For PMN-M4 |

[Next](#)

A-213-00

| 番号 | 部品番号 | 部 品 名 称 | 使用個数 | 備 考 |
|----|-------------|---------------|------|------------------------|
| 26 | T114 172A | パッキン | 1 | For PMN-M4 |
| 27 | T885 070 | C側ジョイント受け組付 | 1 | For PMN-B2 |
| 28 | T112 172 | パッキン | 1 | For PMN-B2 |
| 29 | T885 153 | ジョイントカバー | 1 | For PMN-B2 |
| 30 | T886 151 | C側ジョイント受け | 1 | For PMN-KV |
| 31 | 0312-068080 | Oリング | 1 | For PMN-KV |
| 32 | T886 070 | C側ジョイント組付 | 1 | For PMN-KV |
| 33 | 060112-1500 | ボール | 3 | For PMN-KV |
| 34 | T739 165 | カプラー板ばね | 1 | For PMN-KV |
| 35 | T886 253 | ジョイントカバー | 1 | For PMN-KV |
| 36 | T887 151 | C側ジョイント受け | 1 | For PMN-SR |
| 37 | T887 121 | ジョイントリングねじ | 1 | For PMN-SR / -BA / -WH |
| 38 | T739 166 | ジョイントパッキン | 1 | For PMN-SR |
| 39 | T739 032 | C側ジョイントスリーブ組付 | 1 | For PMN-SR |
| 40 | T887 070 | C側ジョイント組付 | 1 | For PMN-SR |
| 41 | 06011-1980 | カプラーボール | 3 | For PMN-SR |
| 42 | T740 165 | カプラー板ばね | 1 | For PMN-SR |
| 43 | T887 253 | ジョイントカバー | 1 | For PMN-SR |
| 44 | T889 070 | C側ジョイント組付 | 1 | For PMN-BA |
| 45 | T889 253 | ジョイントカバー | 1 | For PMN-BA |
| 46 | T741 155 | ジョイント爪リング | 1 | For PMN-BA |
| 47 | T741 156 | ジョイント押えリング | 1 | For PMN-BA |
| 48 | T888 070 | C側ジョイント組付 | 1 | For PMN-WH |
| 49 | T888 071 | ジョイントカバー組付 | 1 | For PMN-WH |

[Back](#)

A-213-00

[Return to A](#)
[Return to Top Page](#)

Prophy-Mate neo Powder Case

PMN-PTL (Gray type) : T798 020 / (White type) : T798 021

PMN-M4 (Gray type) : T884 020 / (White type) : T884 021

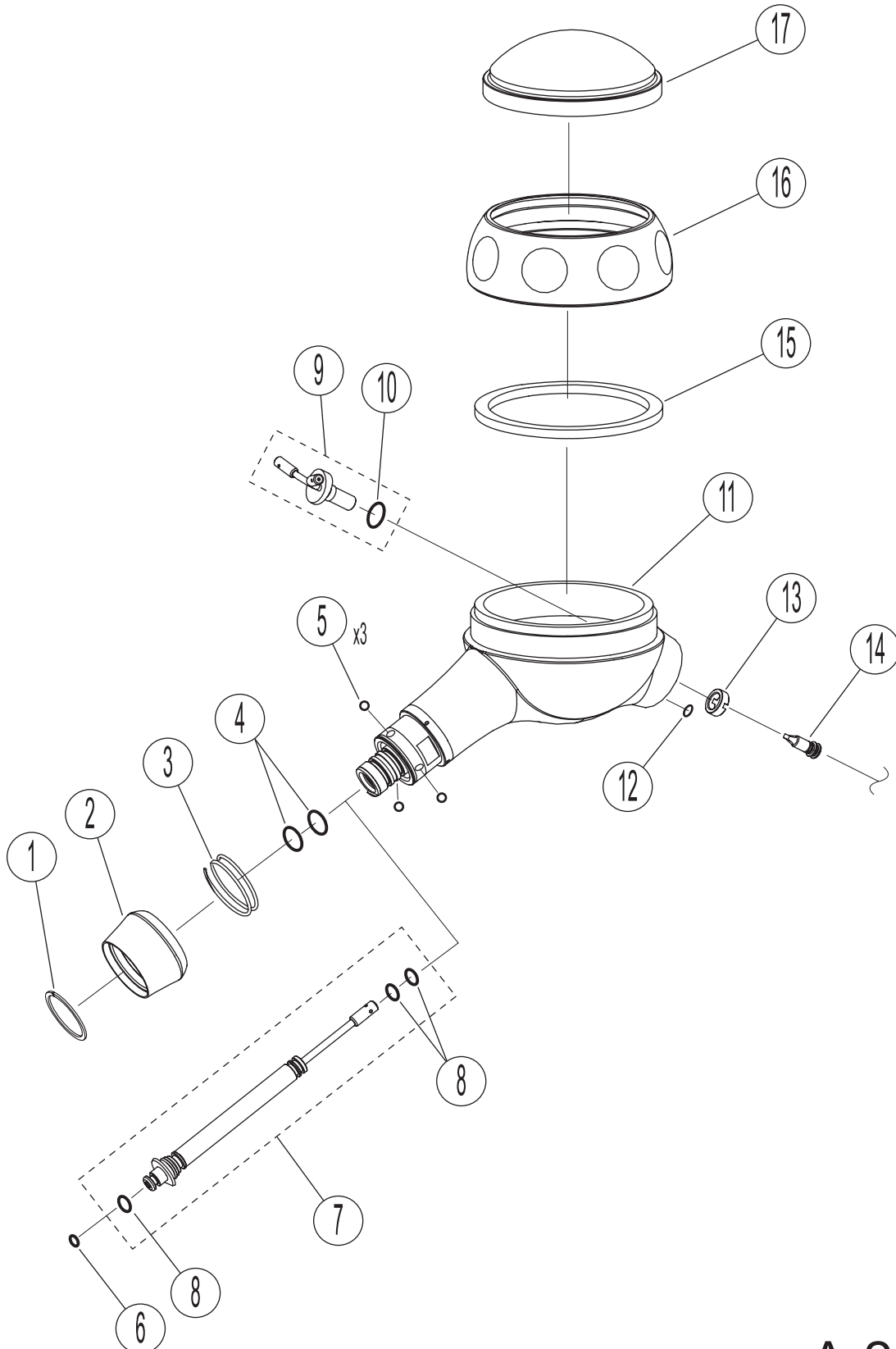
PMN-B2 (Gray type) : T885 020 / (White type) : T885 021

PMN-KV (Gray type) : T886 020 / (White type) : T886 021

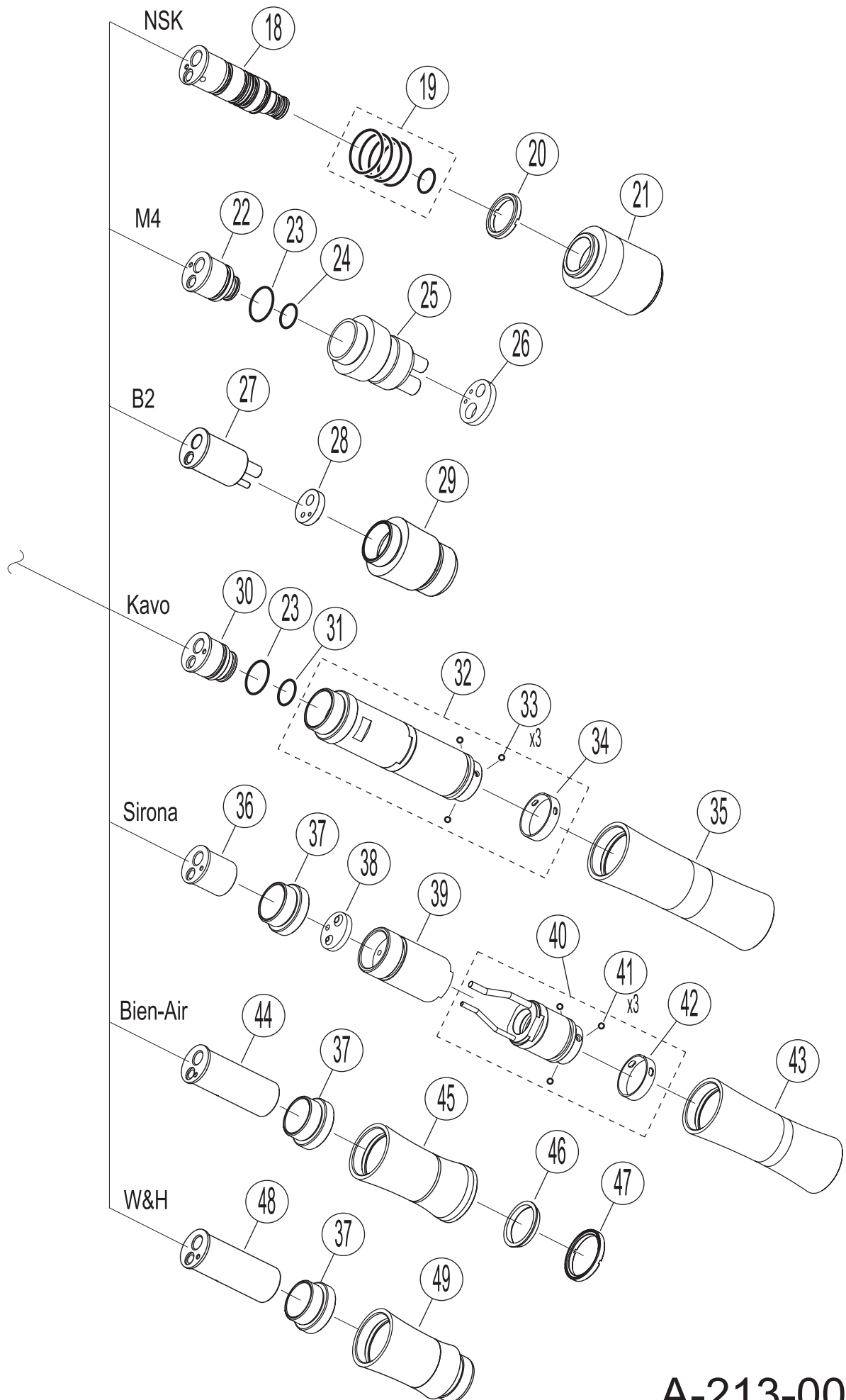
PMN-SR (Gray type) : T887 020 / (White type) : T887 021

PMN-BA (Gray type) : T889 020 / (White type) : T889 021

PMN-WH (Gray type) : T888 020 / (White type) : T888 021



Prophy-Mate neo Powder Case



A-213-00