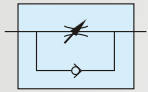


## Symbol



## Features

\* SV series valves provide the finest control of piston speed for cylinders.

## How to order

**SV**

-

Speed control valve  
(Precise type)

**01**

Port size

01	1/8"
02	1/4"
03	3/8"
04	1/2"

**N**

Thread

Blank	G
N	NPT

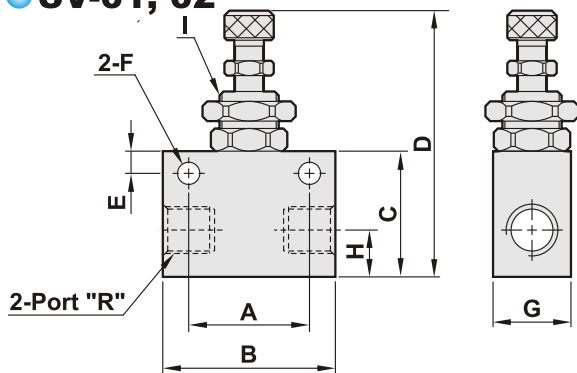


## Specifications

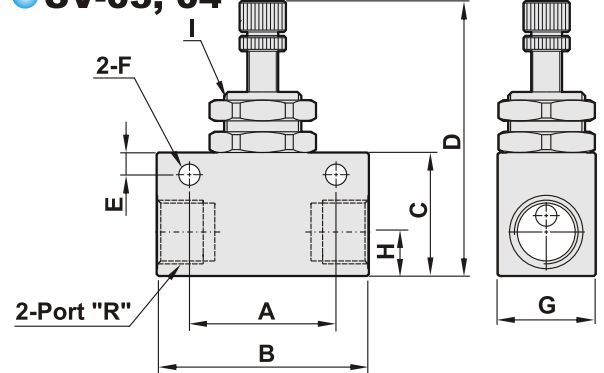
Model	SV-01	SV-02	SV-03	SV-04
Port size	1/8"	1/4"	3/8"	1/2"
Body material	Aluminum alloy			
Fluid	Compressed air			
Sectional area	3.8mm <sup>2</sup>	6mm <sup>2</sup>	38mm <sup>2</sup>	48mm <sup>2</sup>
Operating pressure range	0 ~ 9.9 kgf/cm <sup>2</sup>			
Proof pressure	10 kgf/cm <sup>2</sup>			
Ambient temperature	-10 °C ~ 80 °C			

## Dimensions

### SV-01, 02



### SV-03, 04



Model	R	A	B	C	D	E	F	G	H	I
SV-01	1/8"	24.5	35.0	25.5	54.0	4.5	φ4.5	15.8	9.2	M12xP1.0
SV-02	1/4"	24.5	35.0	25.5	54.0	4.5	φ4.5	19.0	9.2	M12xP1.0
SV-03	3/8"	38.0	52.0	32.0	72.8	4.8	φ5.5	24.0	14.2	M18xP1.25
SV-04	1/2"	38.0	52.0	36.0	80.5	5.5	φ5.5	28.0	15.2	M22xP1.25