

NRTUS2

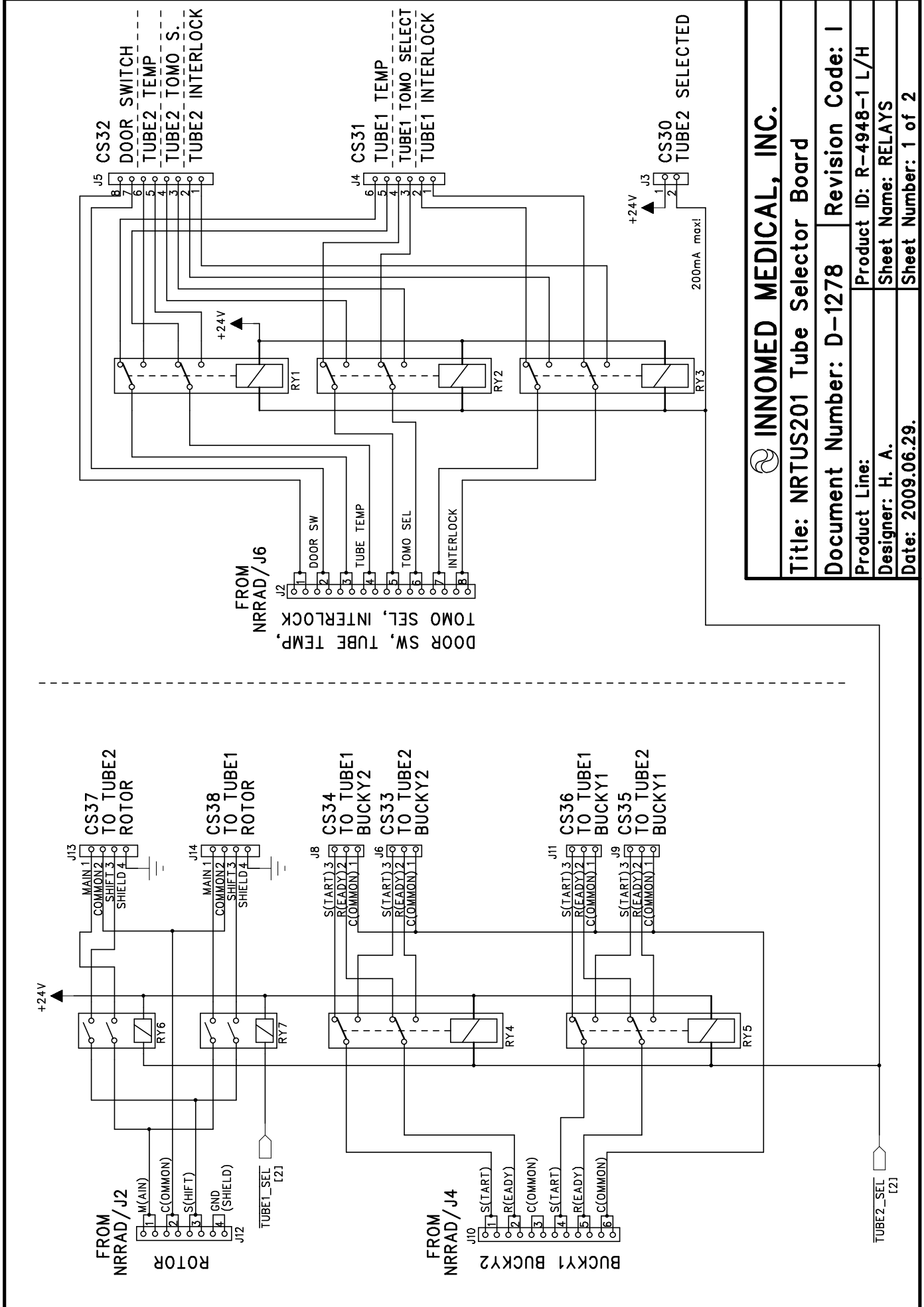
TUBE SELECTOR BOARD (R-4948/B)

SCHEMATIC DIAGRAMS
LAYOUTS

D-1278 / I
D-1986 / E

06.29.2009.
07.06.2009.

Page 2
Page 1



INNOMED MEDICAL, INC.

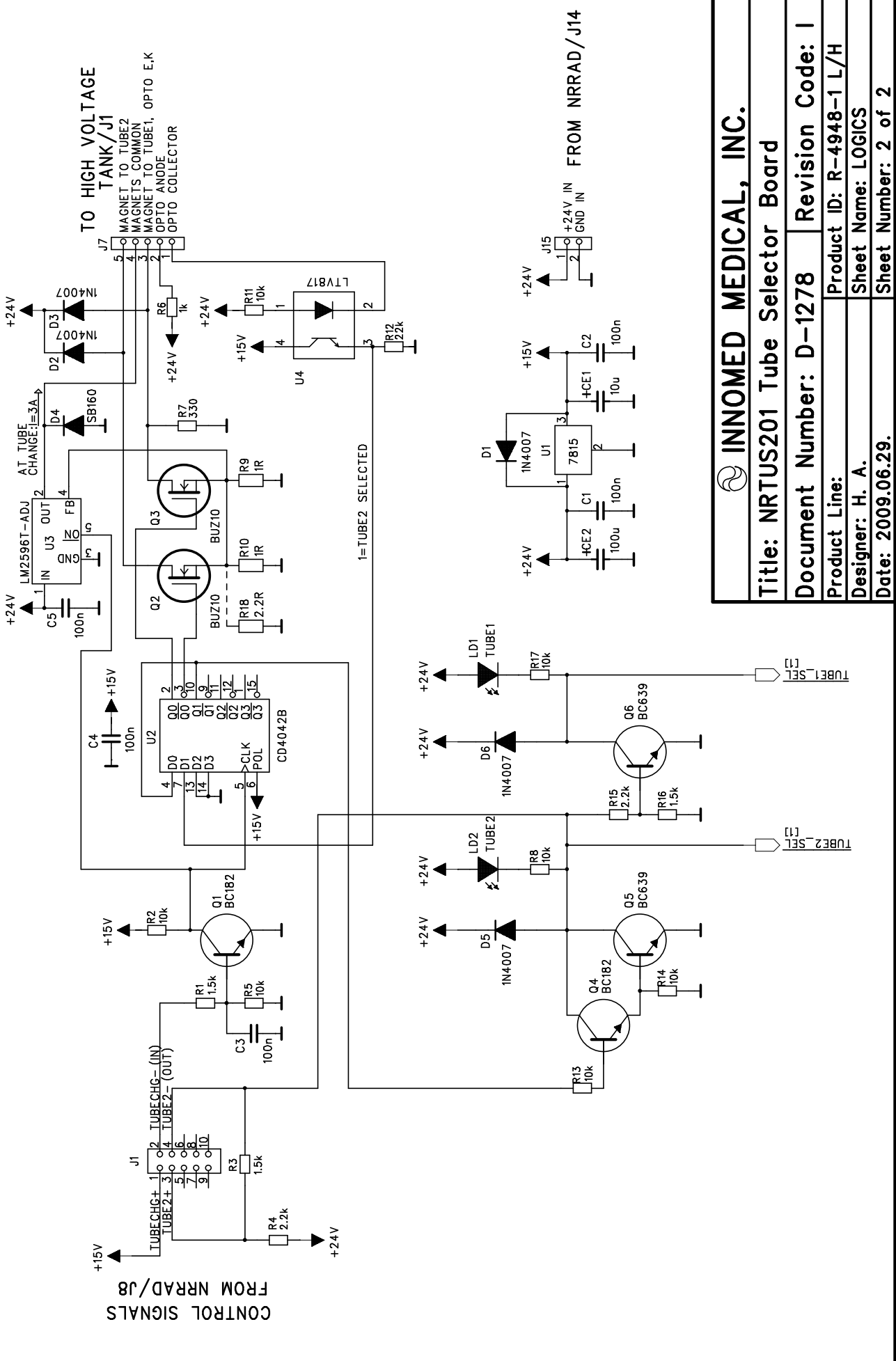
Title: NRTUS201 Tube Selector Board

Document Number: D-1278 **Revision Code: I**

Product Line: **Product ID: R-4948-1 L/H**

Designer: H. A. **Sheet Name: RELAYS**

Date: 2009.06.29. **Sheet Number: 1 of 2**



INNOMED MEDICAL, INC.

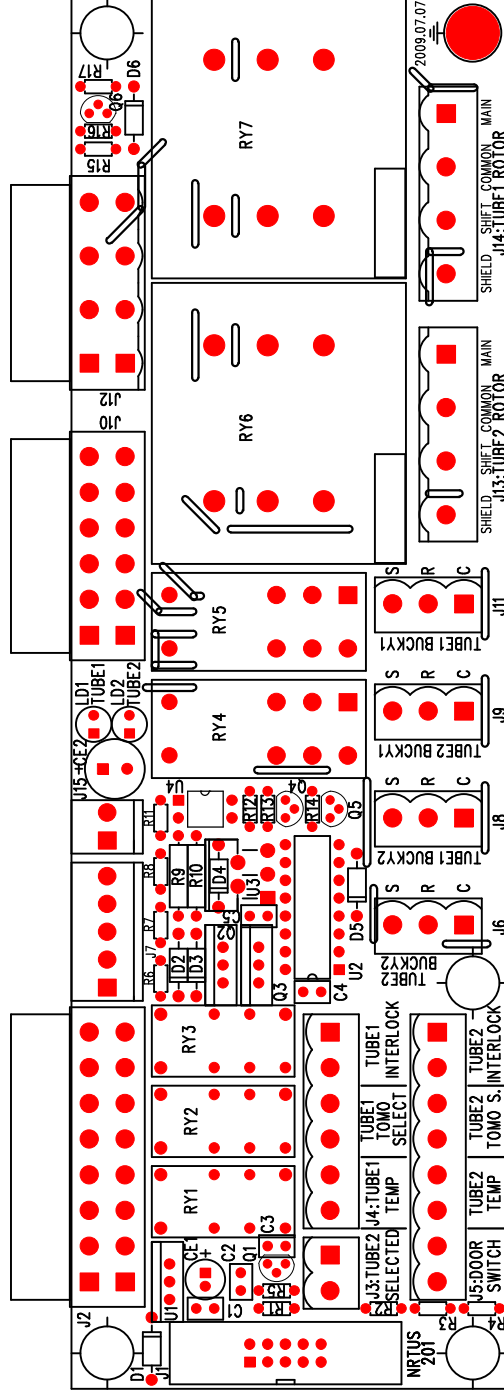
Title: NRTUS201 Tube Selector Board

Document Number: D-1278 **Revision Code: I**

Product Line: **Product ID: R-4948-1 L/H**

Designer: H. A. **Sheet Name: LOGICS**

Date: 2009.06.29. **Sheet Number: 2 of 2**



NRTUS201 TOP SILKSCREEN TOP

INNOMED MEDICAL, INC.	
Title: Layout of NRTUS Tube Selector Board	
Document Number: D-1986	Revision Code: E
Product Line:	
Designer: H. A.	
Date: 2009.07.06.	
Product ID: R-4948-2 L/H	
Sheet Name:	
Sheet Number: 1 of 1	