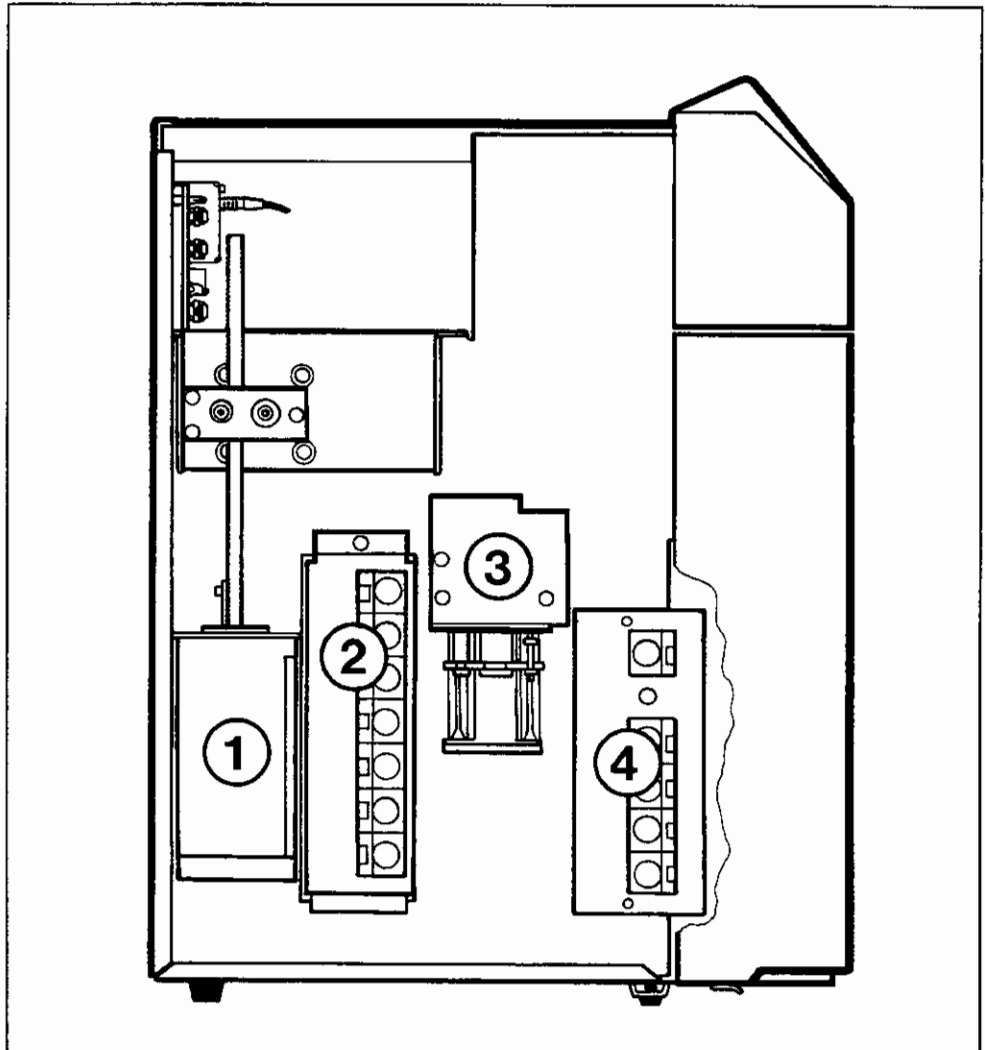


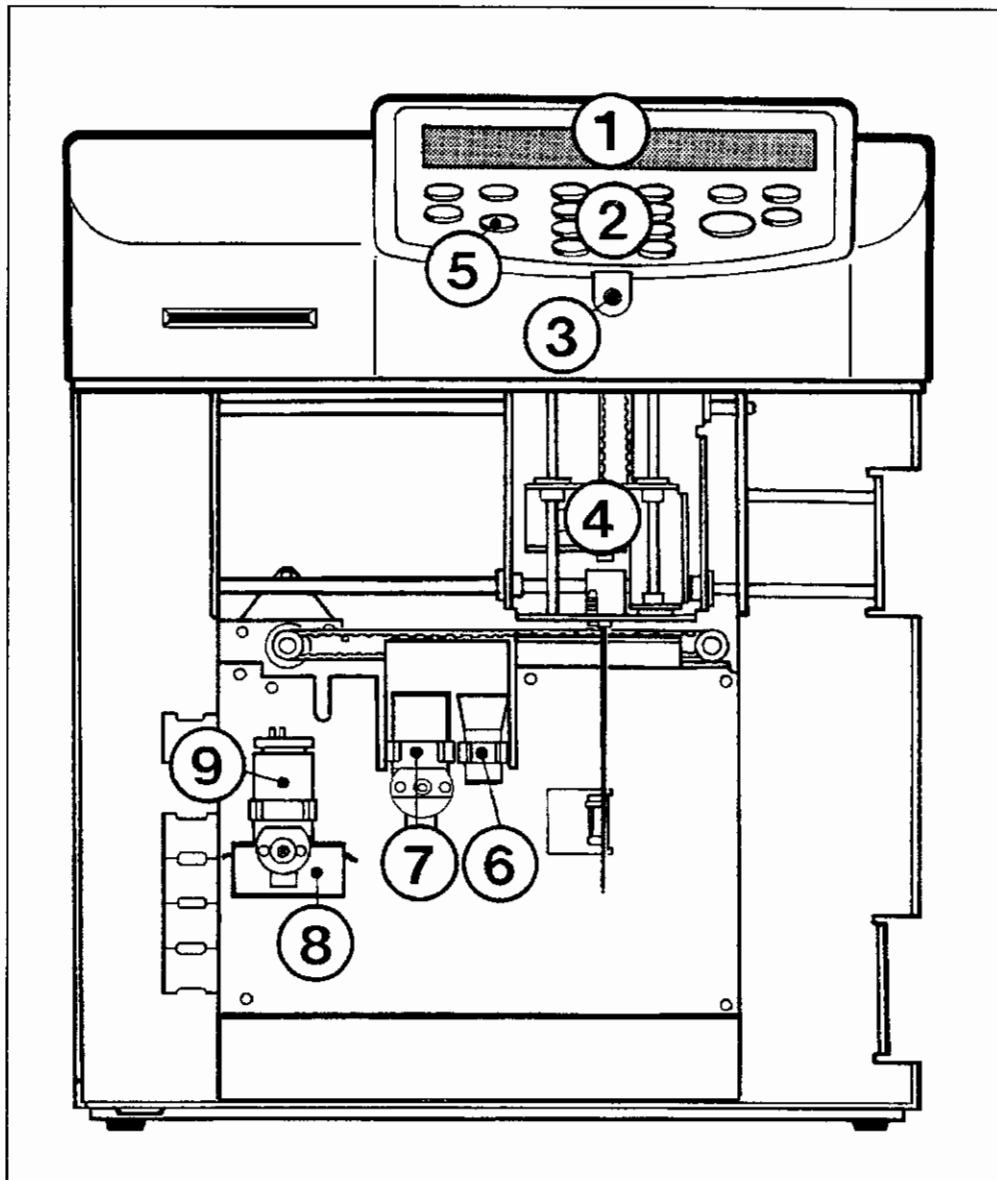
5.1.3. Left side internal view

Diag.5.5

- | | | | |
|---|-----------------------------|---|-----------------------------|
| 1 | Vacuum/pressure syringe | 3 | Dilution block |
| 2 | Liquid electrovalve block 1 | 4 | Liquid electrovalve block 2 |

5. DESCRIPTION

5.1.4. Front internal view



Diag.5.6

- | | | | |
|---|--------------------------|---|-------------------|
| 1 | LCD display | 6 | Mixing chamber |
| 2 | Keyboard | 7 | RBC chamber |
| 3 | Cycle light indicators | 8 | Spectrophotometer |
| 4 | Sampling needle carriage | 9 | WBC chamber |
| 5 | Start cycle key | | |