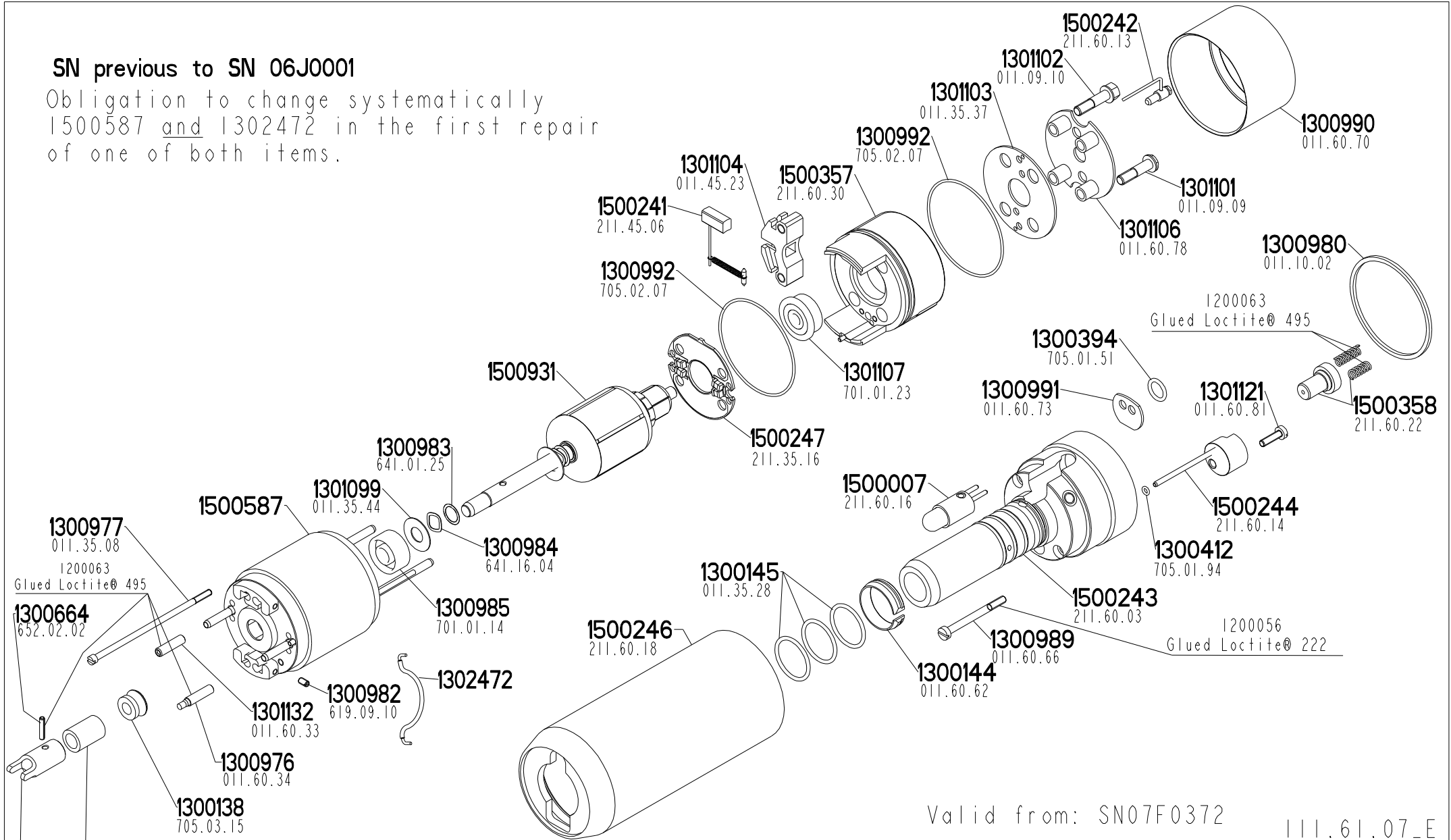


SN previous to SN 06J0001

Obligation to change systematically
1500587 and 1302472 in the first repair
of one of both items.



Valid from: SN07F0372

111.61.07_E

	Dessiné	10-09-04	MMG	Dénomination	MC MC2 Isolite® 300
	Révisé	28-09-07	MMG	N° de dessin	
	Contrôlé	28-09-07	MMG	Rév.	1600078-181-0004
	FF	1/1	Ech.	1/1	