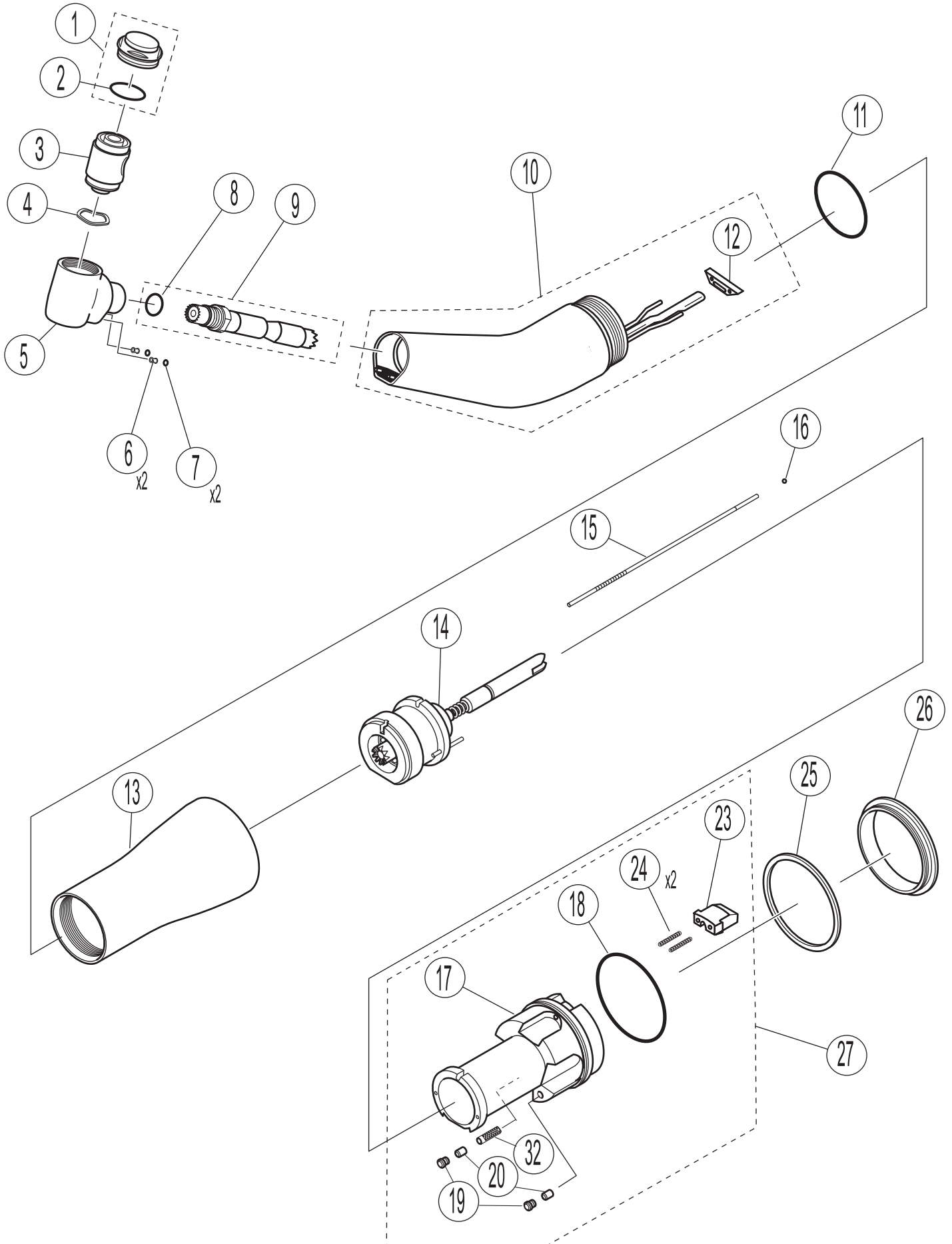


Products Name	X25L / X25	
Type		
Model Name/Products No.	X25L	C601A 001
	X25	C611001
Manufactured Period		

No.	PARTS No.	DESCRIPTION	Q'ty	REMARK
1	C601050	Head Cap	1	
2	0312082030	O-Ring	1	8.2 x 0.3
* 3	C601015001	Cartridge	1	Compatible with C601015
4	C427A360	Wave Washer	1	
5	C601011B	Head Ass'y	1	
6	C387062	Gasket Retainer	1Set	A set consists of 2 pieces.
7	C427064	Gasket	1Set	A set consists of 2 pieces.
8	0312040080	O-Ring	1	4 x 0.8
9	C601022	Drive Shaft	1	
10	C600061001	Elbow Ass'y	1	For X25L
11	0312125050	O-Ring	1	12.5 x 0.5
12	C427B168	Cushion	1	
13	C600126A001	Grip Sleeve	1	
14	C601013A002	Dog Clutch	1	
15	C601230	Drive Shaft Retaining Pin	1	
16	0312063033	O-Ring	1	0.63 x 0.33
* 17	C600A060002	Rear Joint	1	For X25L(Not compatible with C600060)
18	0312160050	O-Ring	1	16 x 0.5
19	C427063	Guide	1Set	A set consists of 2 pieces.
20	C427062	Gasket	1Set	A set consists of 2 pieces.
21		Unused		
22		Unused		
23	C600A506	Locating Block	1	For X25L
24	C600508	Spring	2	For X25L
25	C601605	Collar Ring	1	
26	C600205A	Ring Retaining Screw	1	For X25L
* 27	C600A033002	Rear Joint Ass'y	1	For X25L(Compatible with C600A033001)
28	C611060001	Elbow Ass'y	1	For X25
29	C610205A	Ring Retaining Screw	1	For X25
* 30	C610033002	Rear Joint Ass'y	1	For X25(Compatible with C610033001)
* 31	C610061001	Rear Joint	1	For X25(Not compatible with C610061)
* 32	20002252	Filter	1	

B-287-06

X25L (C601A001)



X25

(C611-001)

