

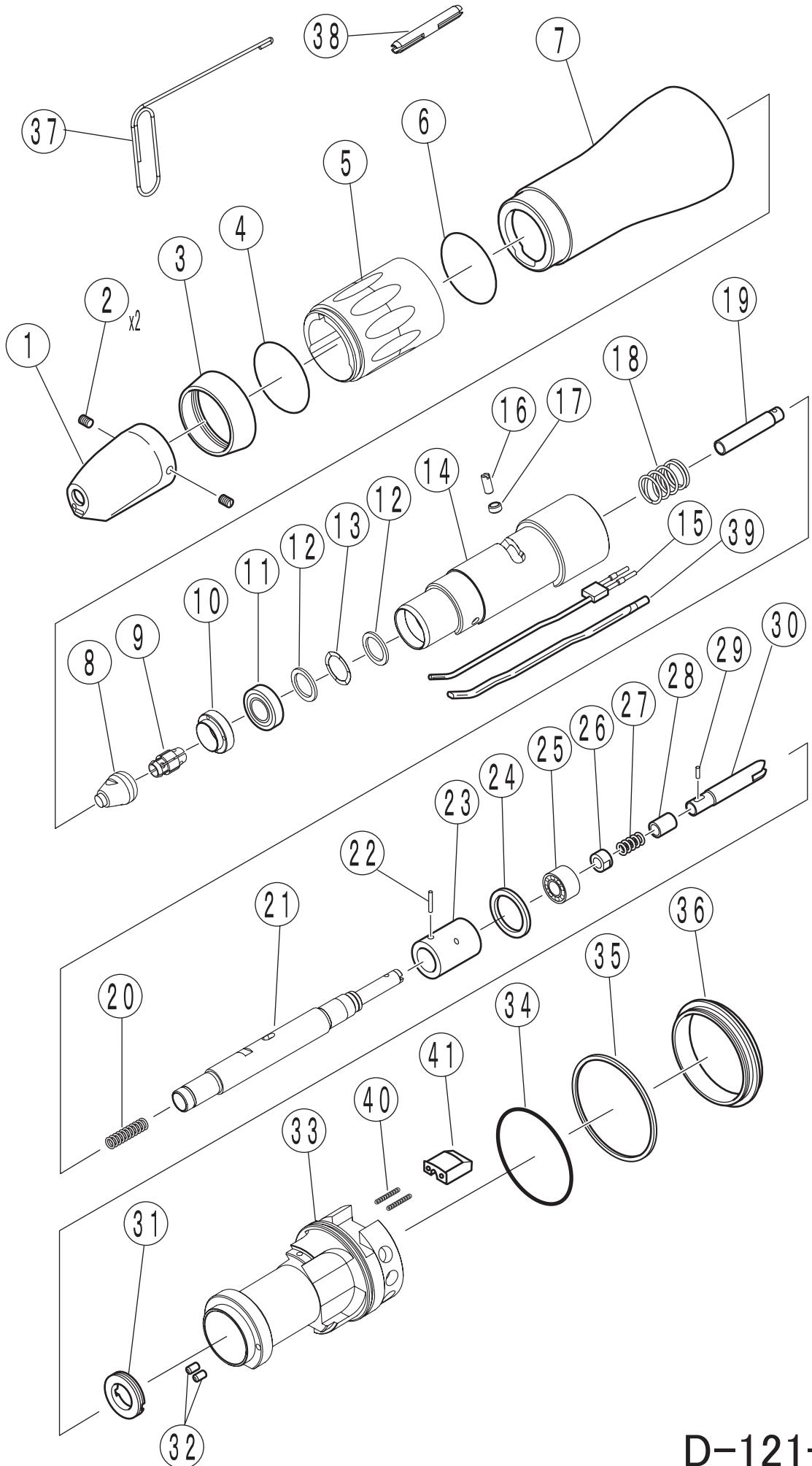
Products Name	X65L	
Type		
Model Name/Products No.	H273 001	
Manufactured Period	From '07.9.	

No.	PARTS No.	DESCRIPTION	Q'ty	REMARK
1	H274 101	Nose Hood	1	
2	H190 060	Nose Screw	1 Set	M1.7 x 0.35 x 2L A set consists of 2 pieces.
3	H190 155A	Cover Ring	1	
4	0312-140035	O-Ring	1	14.7 x 14 x 0.35
5	H190A152A	Bur Lock Ring	1	
6	0312-154035	O-Ring	1	16.1 x 15.4 x 0.35
7	H273 310	Sleeve Sheath	1	
8	H273 017	Spindle Cap	1	
9	H190A180A	Chuck	1	
10	H273 213	(F)Bearing Retaining Nut	1	
11	B11211-0805	Bearing	1	
12	H273 165	Preload Spring Washer	2	
13	C427A360	Wave Washer	1	
14	H273 011	Sheath Ass'y	1	
15	H273 030	Water Pipe	1	
16	H190A159	Lead Pin	1	
17	H190A158	Roller	1	
18	H190A157	Balancing Spring	1	
19	H273 181	Chuck Pusher	1	
20	H190A190	Chuck Spring	1	
21	H273 020	Spindle Sub Ass'y	1	
22	H190A194	Chuck Pin	1	
23	H190A156B	Slide Ring	1	
24	H190A174	(R)Bearing Washer	1	
25	B12223-1005	Bearing	1	
26	H190A172	(R)Bearing Retaining Nut	1	
27	H115E229	Dog Clutch Spring	1	
28	H115E331	Dog Clutch Cover	1	
29	0414-104042	Dog Clutch Pin	1	
30	H115E226	Dog Clutch	1	
31	M120A171	Spindle Retaining Screw	1	
32	C427 399A	Gasket	2	
33	H249A040	Rear Joint	1	
34	0312-160050	O-Ring	1	16 x 0.5
35	C601 605	Collar Ring	1	
36	H274 205	Ring Retaining Screw	1	
37	H273 701	Extracting tool	1	
38	H273 124	Bur Stopper	1	
39	H273 166	Glass Rod	1	
40	C600 508	Spring	2	
41	C273 506	Locating Block	1	

D-121-00

[Return to D](#)
[Return to Top Page](#)

X65L
(H243)



D-121-00